

Pub. No. 43,516

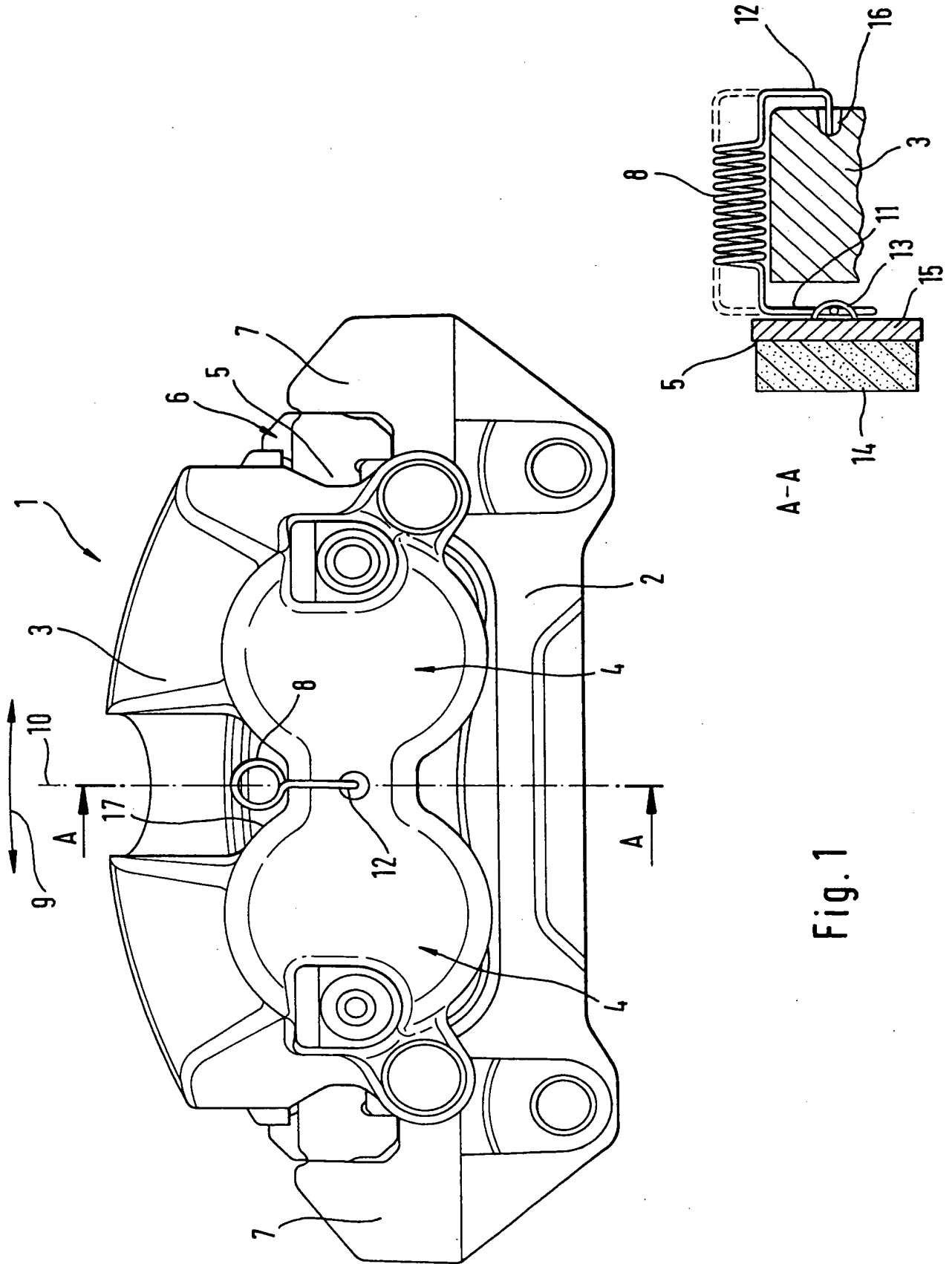


Fig. 1

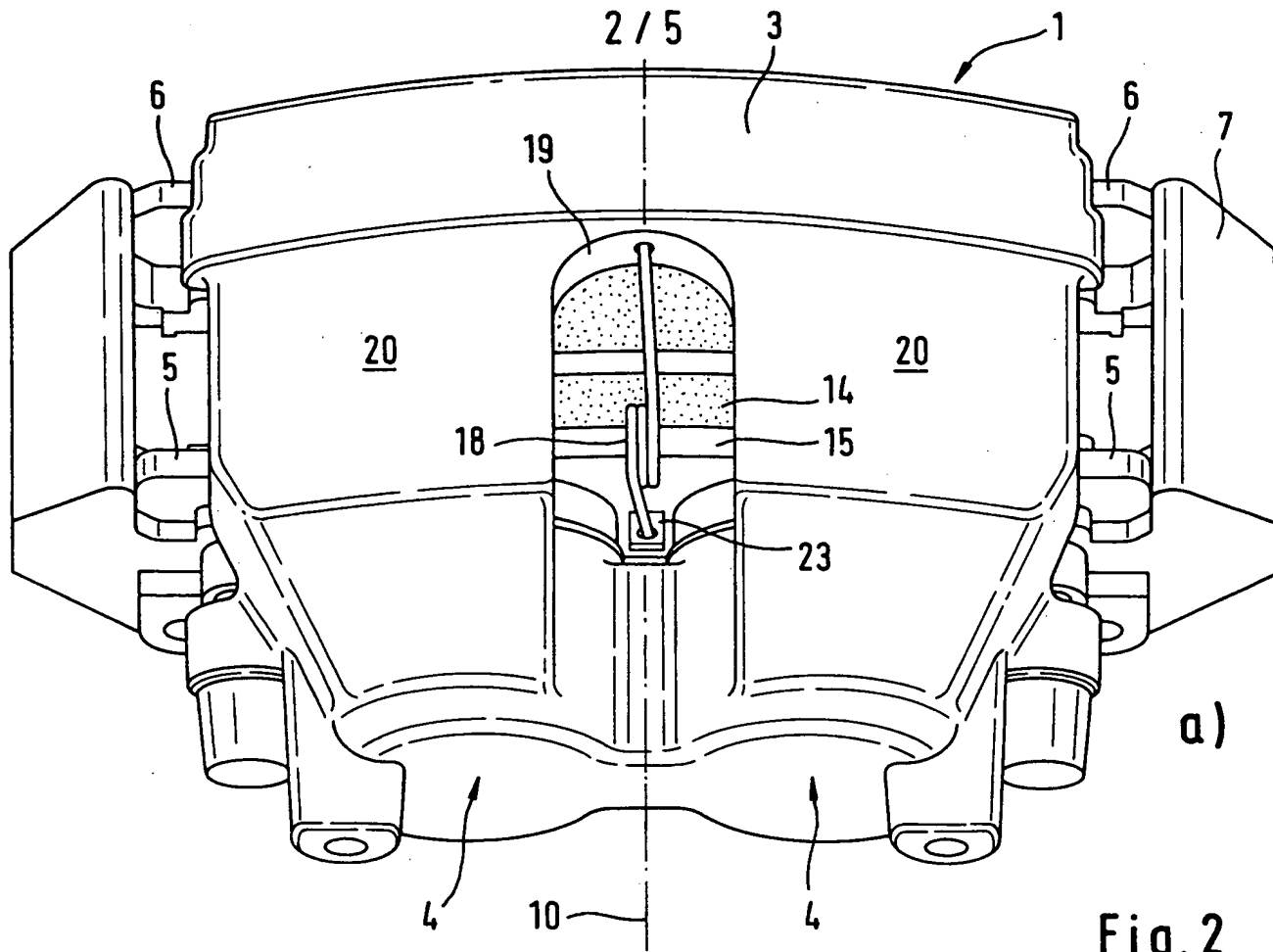
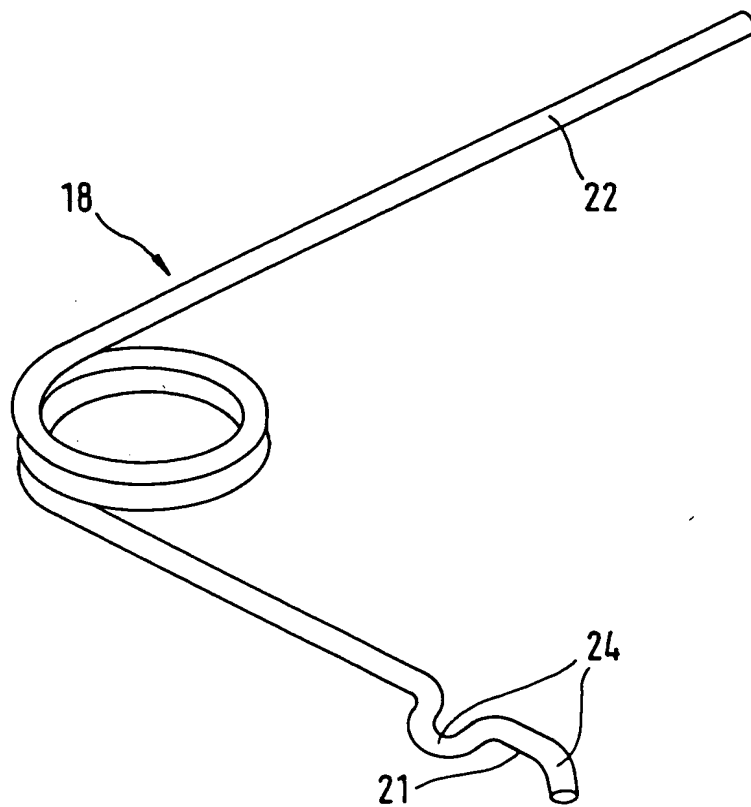


Fig. 2



425426

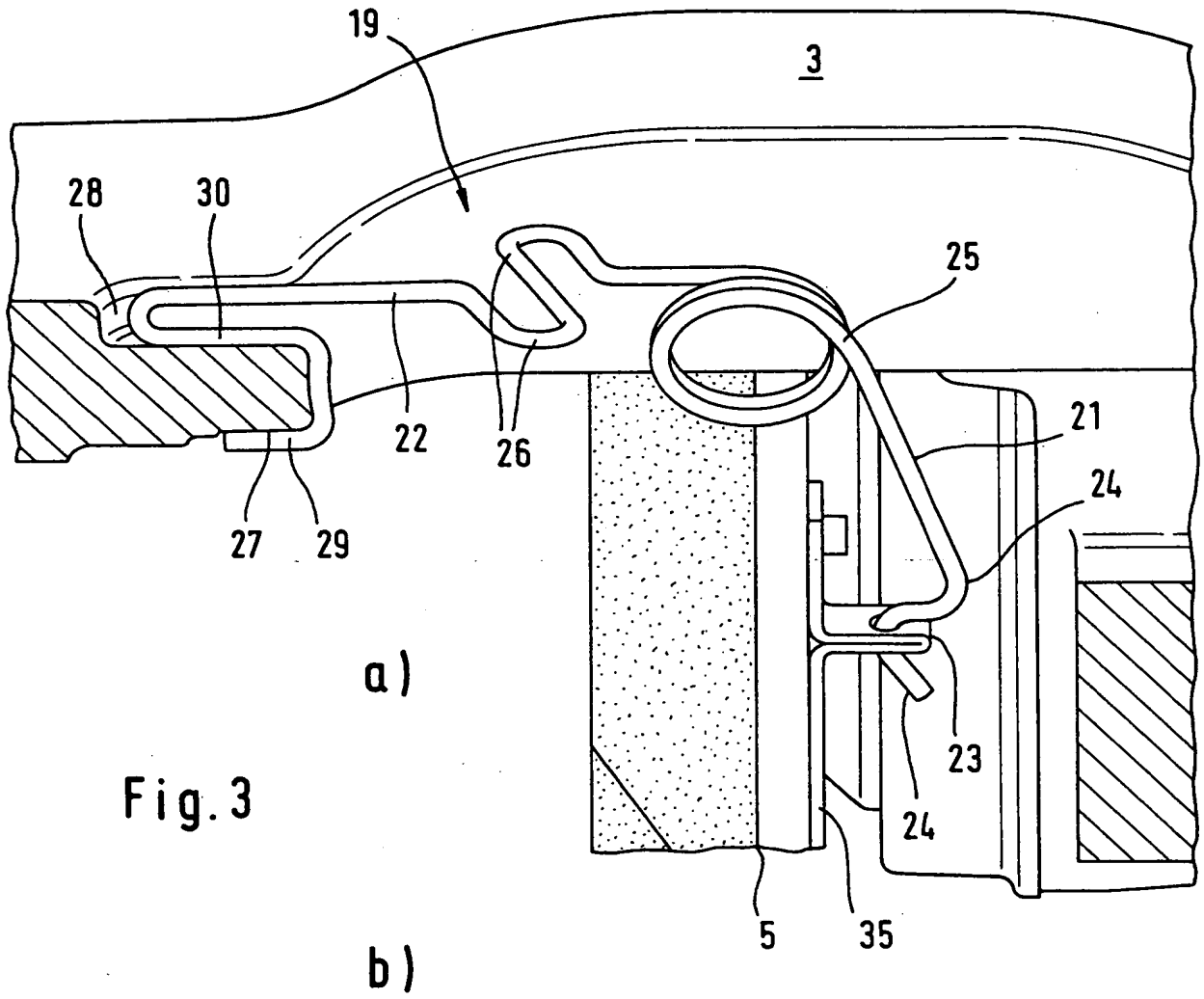
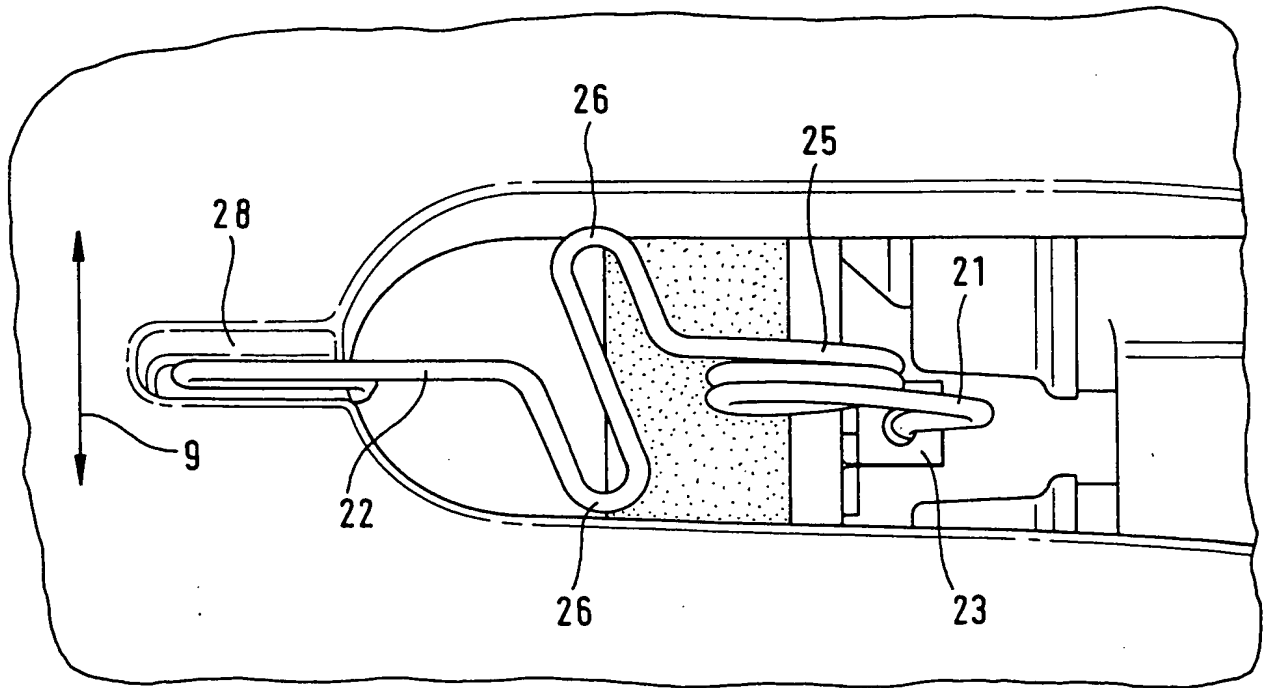


Fig. 3



FOR 449496

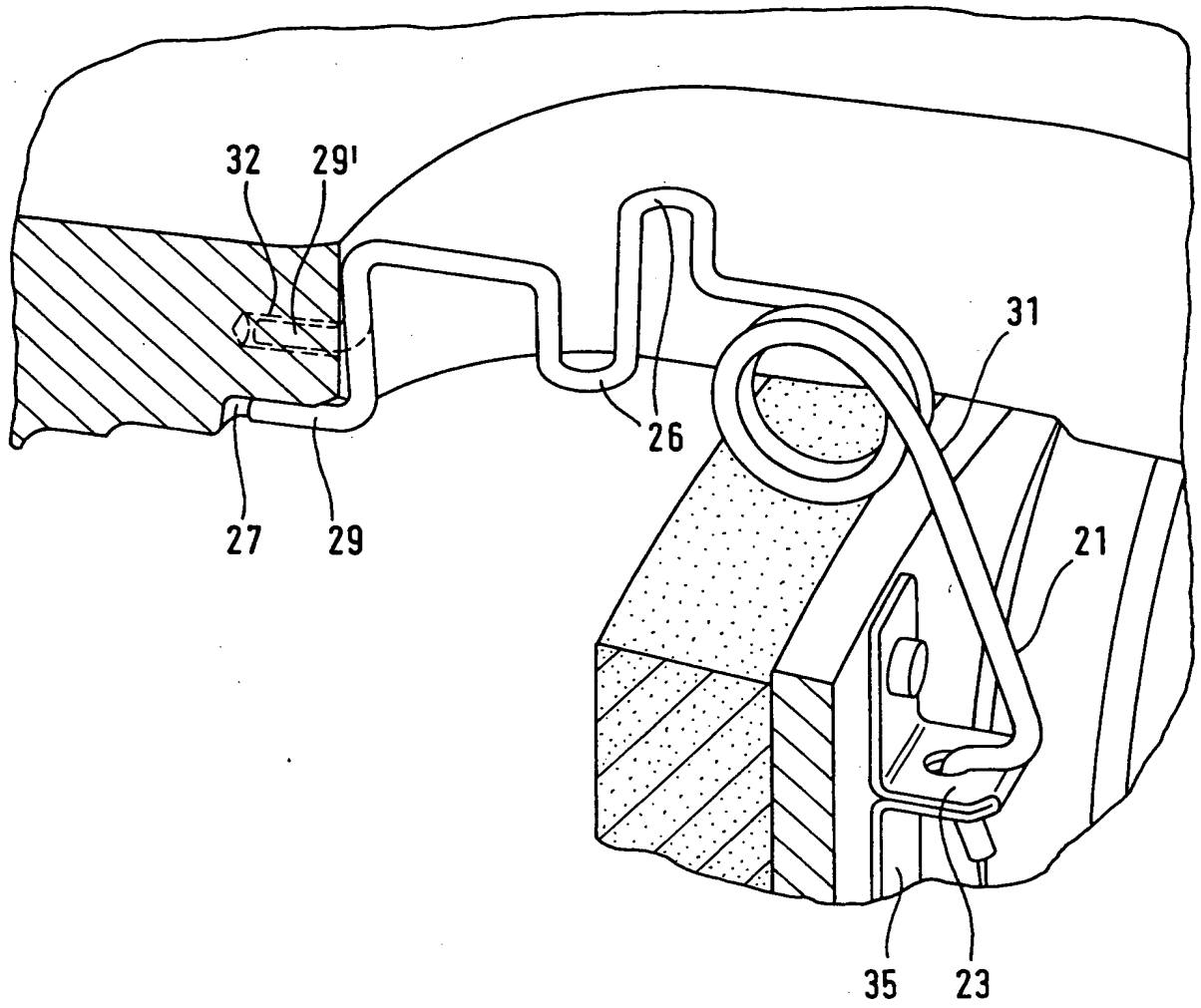
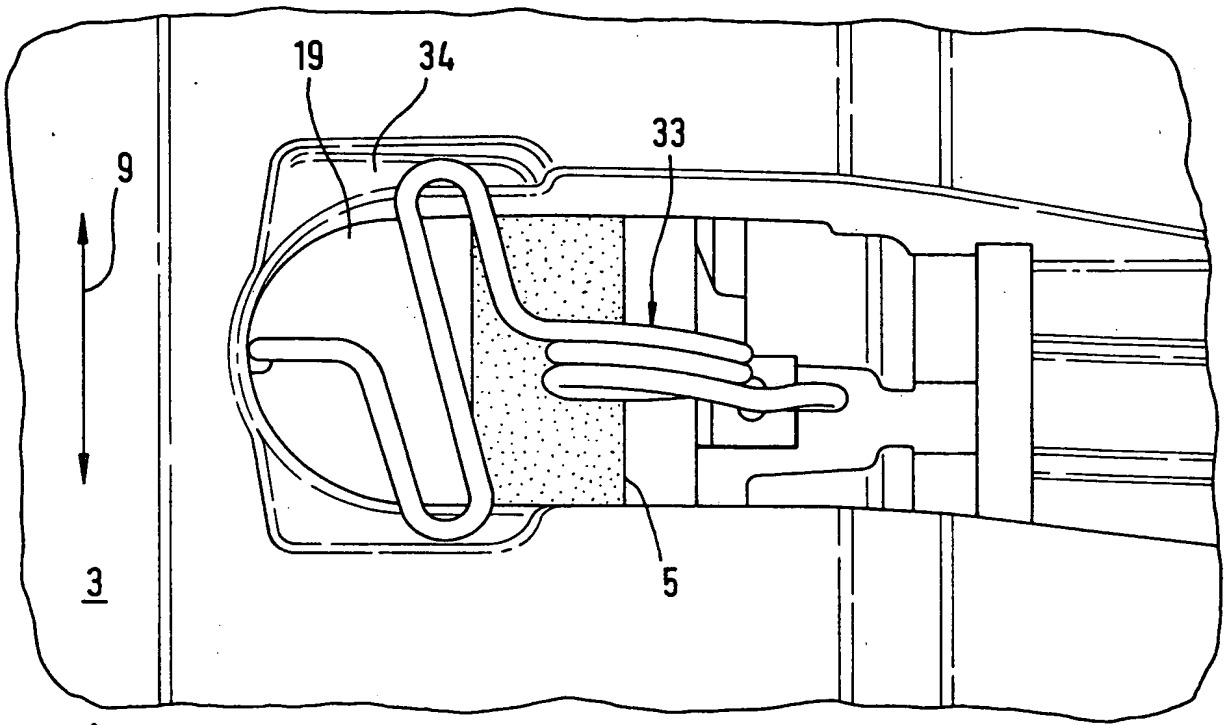
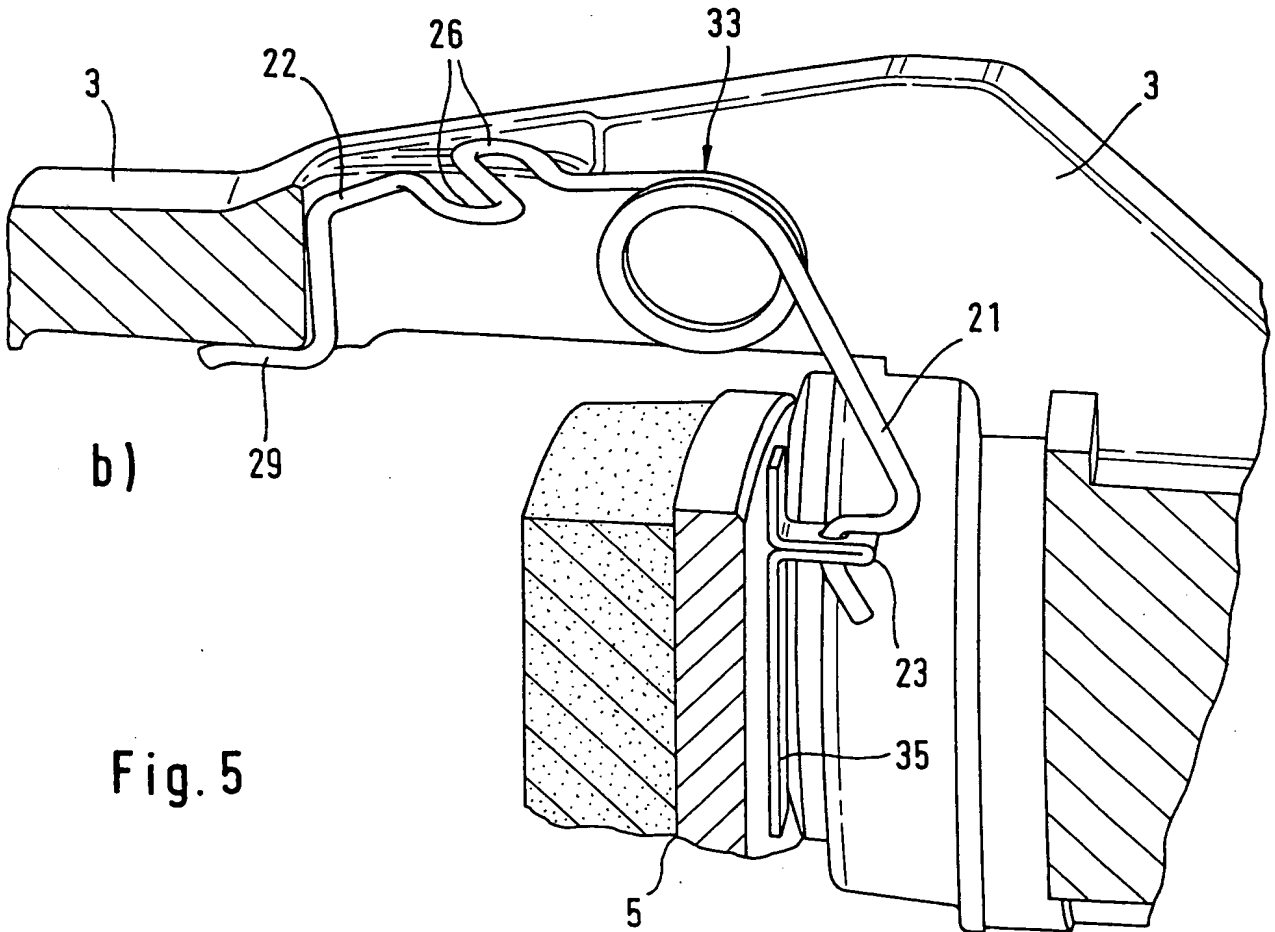


Fig. 4



a)



b)

Fig. 5

Pub. No. 4,410,400